

1号卷·A10联盟2025届高三4月质检考
物理答题卡

考号 _____ 姓名 _____

[0]	[0]	[0]	[0]	[0]	[0]	[0]	[0]	[0]	[0]	[0]
[1]	[1]	[1]	[1]	[1]	[1]	[1]	[1]	[1]	[1]	[1]
[2]	[2]	[2]	[2]	[2]	[2]	[2]	[2]	[2]	[2]	[2]
[3]	[3]	[3]	[3]	[3]	[3]	[3]	[3]	[3]	[3]	[3]
[4]	[4]	[4]	[4]	[4]	[4]	[4]	[4]	[4]	[4]	[4]
[5]	[5]	[5]	[5]	[5]	[5]	[5]	[5]	[5]	[5]	[5]
[6]	[6]	[6]	[6]	[6]	[6]	[6]	[6]	[6]	[6]	[6]
[7]	[7]	[7]	[7]	[7]	[7]	[7]	[7]	[7]	[7]	[7]
[8]	[8]	[8]	[8]	[8]	[8]	[8]	[8]	[8]	[8]	[8]
[9]	[9]	[9]	[9]	[9]	[9]	[9]	[9]	[9]	[9]	[9]

贴条形码区

此栏考生禁填

缺考标记

缺考考生由监考员贴条形码，并用2B铅笔填涂左边的缺考标记

请用2B铅笔填涂

- | | | |
|----------------|----------------|-----------------|
| 1 [A][B][C][D] | 5 [A][B][C][D] | 9 [A][B][C][D] |
| 2 [A][B][C][D] | 6 [A][B][C][D] | 10 [A][B][C][D] |
| 3 [A][B][C][D] | 7 [A][B][C][D] | |
| 4 [A][B][C][D] | 8 [A][B][C][D] | |

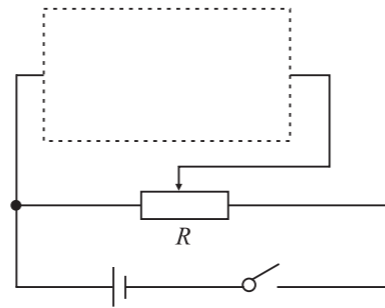
非选择题

11. (6分)

- (1) _____
- (2) _____
- _____

12. (10分)

- (1) _____
- _____
- _____
- (2) _____



请在各题目的答题区域内作答，超出黑色边框限定区域的答案无效

请在各题目的答题区域内作答，超出黑色边框限定区域的答案无效

13. (12分)

(1)(6分)

(2)(6分)

请在各题目的答题区域内作答，超出黑色边框限定区域的答案无效

准考证号

题

要

考点

不

订

线

装

名

姓

装

学校

请在各题目的答题区域内作答，超出黑色边框限定区域的答案无效

14. (14分)
(1)(4分)

(2)(5分)

(3)(5分)

请在各题目的答题区域内作答，超出黑色边框限定区域的答案无效

请在各题目的答题区域内作答，超出黑色边框限定区域的答案无效

15. (16分)
(1)(5分)

(2)(5分)

(3)(6分)

请在各题目的答题区域内作答，超出黑色边框限定区域的答案无效



曹业辉高中物理
www.zhidianwuli.com

装

装

订

线

内

不

要

答

题

线

装

订

线

内

不

要

答

题

线